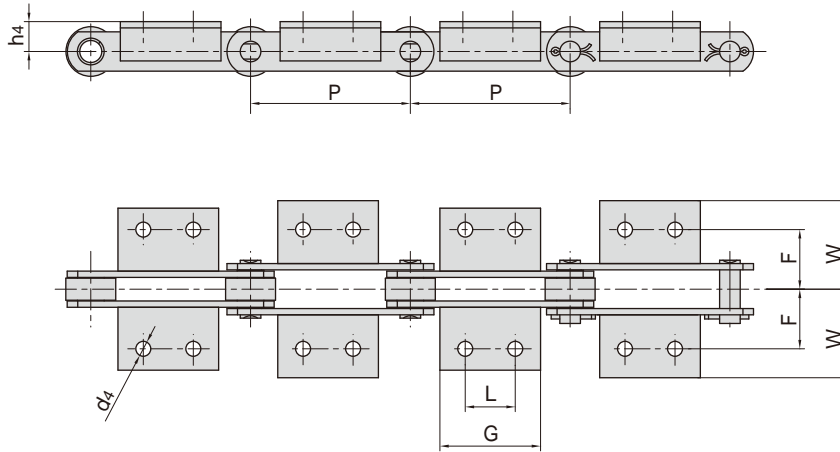


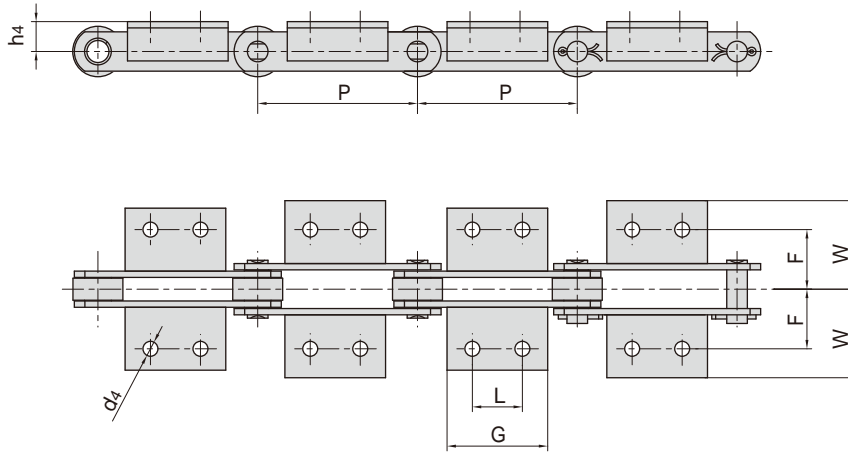
M系列带附板输送链 Conveyor chains with attachments (M series)



ISO 链号 ISO Chain No.	P	L	G	d4	F	W	h4
	mm	mm	mm	mm	mm	mm	mm
M20	40.0		14.0	6.6	27.0	40.0	16.0
	50.0		14.0				
	63.0	20.0	35.0				
	80.0	35.0	50.0				
M28	50.0		20.0	9.0	32.0	47.0	20.0
	63.0		20.0				
	80.0	25.0	45.0				
	100.0	40.0	60.0				
M40	63.0		31.0	9.0	35.0	50.0	25.0
	80.0	20.0	45.0				
	100.0	40.0	60.0				
	125.0	65.0	85.0				
M56	63.0		22.0	11.0	44.0	61.0	30.0
	80.0		30.0				
	100.0	25.0	50.0				
	125.0	50.0	75.0				
	160.0	85.0	110.0				
M80	80.0		30.0	11.0	48.0	65.0	35.0
	100.0	25.0	50.0				
	125.0	50.0	75.0				
	160.0	85.0	110.0				
	200.0	125.0	150.0				

附板带一个孔
Attachments with 1 hole

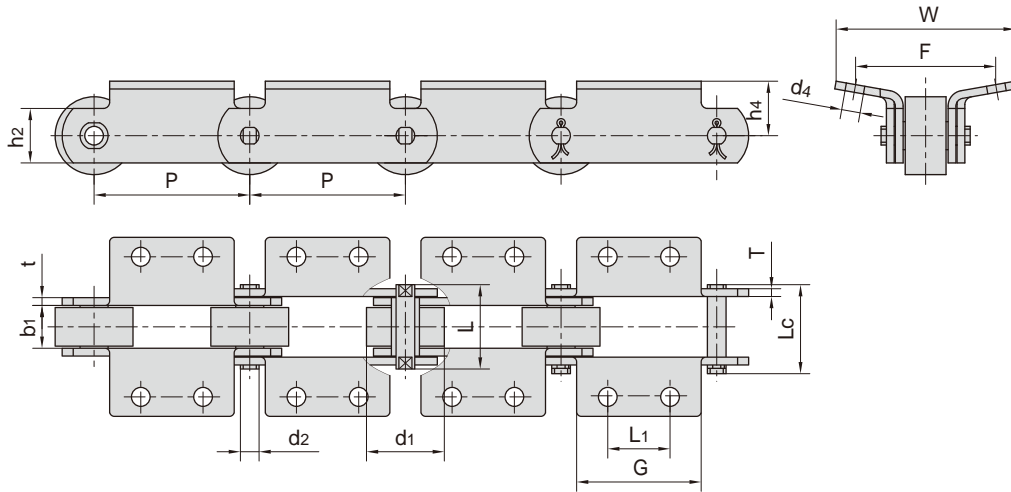
M系列带附板输送链 Conveyor chains with attachments (M series)



ISO 链号 ISO Chain No.	P	L	G	d4	F	W	h4
	mm	mm	mm	mm	mm	mm	mm
M112	80.0		28.0	14.0	55.0	80.0	40.0
	100.0		40.0				
	125.0	35.0	65.0				
	160.0	65.0	95.0				
M160	200.0	100.0	130.0	14.0	62.0	85.0	45.0
	100.0		30.0				
	125.0	25.0	50.0				
	160.0	50.0	80.0				
M224	200.0	85.0	115.0	18.0	70.0	110.0	55.0
	250.0	145.0	175.0				
	125.0		35.0				
	160.0	65.0	100.0				
M315	250.0	125.0	160.0	18.0	80.0	115.0	65.0
	315.0	190.0	230.0				
	160.0		35.0				
	200.0	50.0	85.0				
	250.0	100.0	140.0				
	315.0	155.0	190.0				
	400.0	155.0	205.0				

附板带一个孔
Attachments with 1 hole

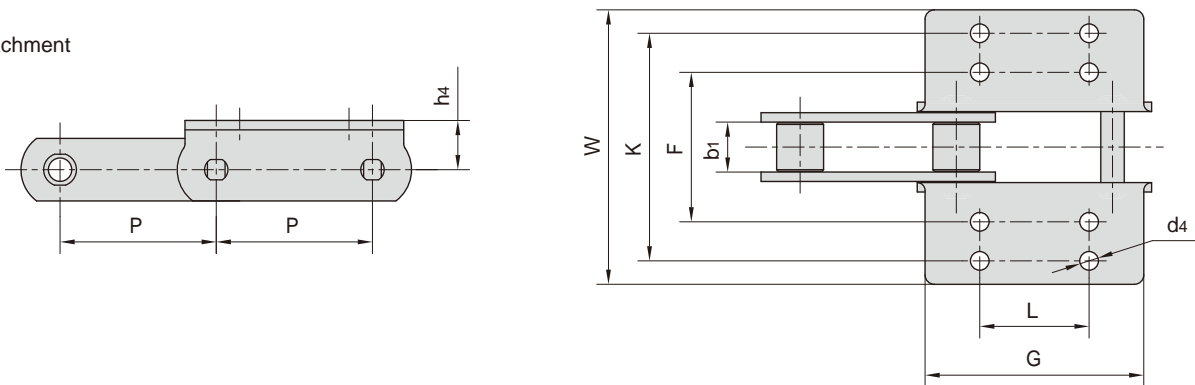
M系列带附板输送链 Conveyor chains with attachments (M series)



东华链号 Donghua Chain No.	L1	G	F	W	h4	d4
	mm	mm	mm	mm	mm	mm
M80K2F6 - P - 100	40.00	80.00	90.00	115.00	35.00	12.00
M112K2F4 - P - 200	120.00	180.00	110.00	142.00	46.00	14.00

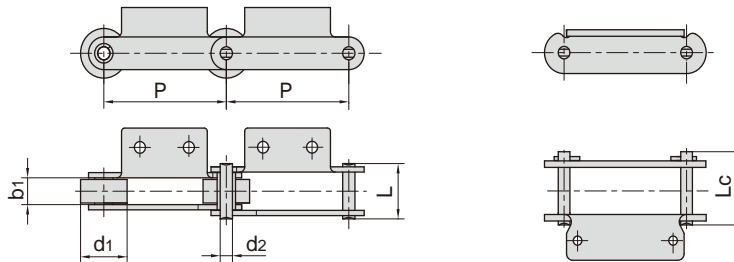
东华链号 Donghua Chain No.	节距	滚子直径	内节内宽	销轴直径	销轴长度		内链板高度	链板厚度	抗拉强度	每米长重
	Pitch	Roller diameter	Width between inner plates	Pin diameter	Pin length		Inner plate depth	Plate thickness	Tensile strength	Weight per meter
	P	d1 max	b1 min	d2 max	L max	Lc max	h2 max	t/T max	Q min	q
	mm	mm	mm	mm	mm	mm	mm	mm	kN/lbf	kg/m
M80K2F6 - P - 100	100.00	50.00	27.00	12.00	55.0	58.5	35.00	5.00	80.0/17994	10.50
M112K2F4 - P - 200	200.00	60.00	38.50	15.00	71.7	75.6	40.00	5.00	160.0/35988	13.50

带K4附件
With K4 attachment



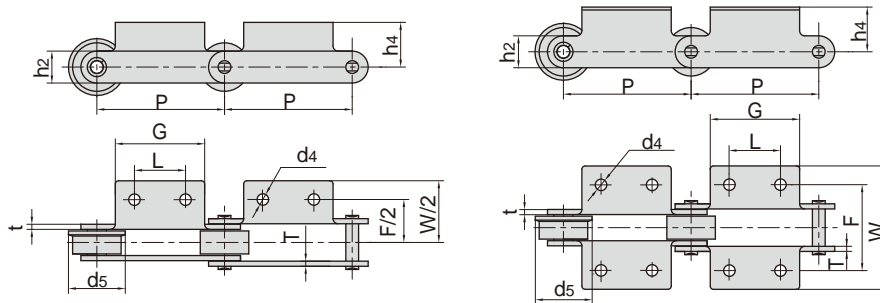
东华链号 Donghua Chain No.	P	b1	h4	F	K	W	L	G	d4
	mm	mm	mm	mm	mm	mm	mm	mm	mm
M112K4 - S - 100	100.00	32.00	31.50	96.00	146.00	176.00	70.00	140.00	12.00

M系列带附板输送链 Conveyor chains with attachments (M series)



东华链号 Donghua Chain No.	节距	滚子直径	内节内宽	销轴直径	销轴长度		抗拉强度	平均抗拉强度	每米长重
	Pitch	Roller diameter	Width between inner plates	Pin diameter	L max	Lc max	Tensile strength	Average tensile strength	Weight per meter
	P	d1 max	b1 min	d2 max	mm	mm	Q min	Q0	q
	mm	mm	mm	mm	mm	mm	kN/lbf	kN	kg/m
M18F1A1-P-50	50.0	25.0	11.5	5.72	26.0	28.2	18.0/4050	20.0	2.46
M18F2A1.02-P-50	50.0	25.0	11.5	5.72	28.0	30.2	18.0/4050	20.0	2.18
M18F2A1F1.32-P-50	50.0	25.0	11.5	5.70	28.0	30.2	18.0/4050	20.0	1.85
M18F4A1.02-S-50	50.0	15.0	12.0	6.00	24.0	26.5	18.0/4050	20.0	1.20
M18F8K1.03-P-50	50.0	25.0	11.5	5.72	26.0	28.2	18.0/4050	20.0	2.47
M20K1F2.02-S-50	50.0	12.5	16.0	6.00	31.0	33.5	20.0/4545	25.0	3.60
M20A2F1-S-50	50.0	12.5	16.0	6.00	31.0	33.5	20.0/4545	25.0	1.53
M28F1A2-P-80	80.0	29.4	18.0	7.00	35.4	38.7	28.0/6300	31.0	2.60
M28F3A2-P-63	63.0	30.0	17.0	7.00	37.3	40.3	35.0/7874	39.0	3.48
M28F3A2-F-100	100.0	30.0	17.0	7.00	37.3	40.3	35.0/7874	39.0	3.46
M32A1.02-P-50	50.0	31.0	15.0	10.00	33.0	35.5	32.0/7200	35.2	4.09
M32A1F1-P-50	50.0	31.0	15.0	10.00	33.0	35.5	32.0/7200	35.2	3.96
M32A1F2.02-PF1-50	50.0	36.0	14.8	10.00	32.6	35.5	35.0/7874	39.0	4.40
M35F4A1.01-C-69	69.0	25.0	12.0	7.00	27.5	30.0	35.0/7874	39.0	2.26
M40FA1.02-P-50	50.0	31.0	15.0	10.00	36.6	39.0	75.0/16872	82.5	4.52
M40FK2F1-P-50	50.0	31.0	15.0	10.00	36.6	39.0	40.0/8992	44.0	4.94
M40FA2-P-50	50.0	31.0	15.0	10.00	36.6	39.0	40.0/8992	44.0	4.54
M40FA1F1.02-P-50	50.0	31.0	15.0	10.00	36.6	39.0	40.0/8992	44.0	4.31
M40FA2F1.08-P-50	50.0	31.0	15.0	10.00	36.6	39.0	40.0/8992	44.0	4.08
M40F17A2-P-50.8	50.8	31.0	15.2	13.40	38.0	42.8	53.9/12127	59.2	4.90
M40F31A2.02-P-50.8	50.8	31.8	15.0	14.00	37.0	40.5	40.0/8992	44.0	4.60
M40F17K1.10-P-50.8	50.8	31.0	15.2	13.35	38.0	42.8	53.9/12127	59.2	4.60
M40F5A2-S-65	65.0	24.0	15.0	12.00	38.0	41.0	40.0/8992	44.0	4.74
M40F10-F-76.2	76.2	31.5	15.0	14.00	38.0	42.0	40.0/8992	44.0	4.16
M40A2F2-F-80	80.0	36.0	20.0	8.50	40.5	45.0	40.0/8992	44.0	4.98
M40F1-P-125	125.0	36.0	38.0	14.27	75.6	-	40.0/8992	44.0	10.18
M56F1-P-100	100.0	38.0	20.5	10.00	42.3	46.1	56.0/12727	61.0	4.63
M56F2-P-100	100.0	42.0	22.5	10.00	44.6	48.5	56.0/12727	61.0	5.67
M56F2-F-100	100.0	42.0	22.5	10.00	44.6	48.5	56.0/12727	61.0	5.88
M56F3-P-100	100.0	38.0	20.5	10.00	42.3	46.1	56.0/12727	61.0	4.72
M56F3-F.06-100	100.0	38.0	20.5	10.00	42.3	46.1	56.0/12727	61.0	4.70
M56F8-P-100	100.0	38.0	17.0	10.00	38.8	42.6	56.0/12727	61.0	3.79
M56F9-F1-100	100.0	38.0	20.5	10.00	46.3	50.1	88.2/19845	97.0	5.80
M56F23-F-100	100.0	42.0	24.0	10.00	44.6	49.5	56.0/12727	61.0	5.52
M56F38A2-P-100	100.0	36.0	15.2	10.00	37.0	40.8	56.0/12727	61.0	3.64
M56F6A2.02-PF1-100	100.0	38.0	17.0	10.00	38.8	42.6	56.0/12727	61.0	4.10
M56A2-P-125	125.0	42.0	24.0	10.00	46.0	49.5	56.0/12727	61.0	5.24
M56F26A2.02-F-125	125.0	42.0	24.0	10.00	46.0	49.5	56.0/12727	61.0	4.82
M75-P100	100.0	38.0	18.9	9.53	40.4	44.7	75.0/17045	83.0	4.85

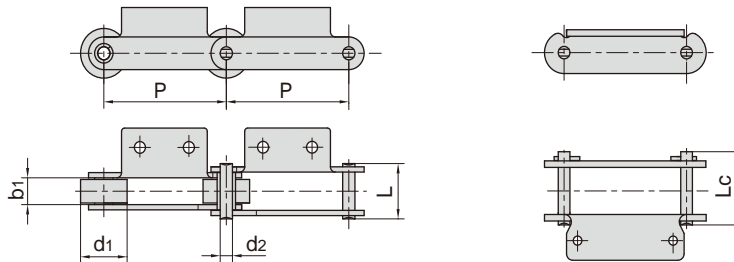
M系列带附板输送链 Conveyor chains with attachments (M series)



东华链号 Donghua Chain No.	P	L	G	F	W	h4	h2	d4	t/T	d5
	mm	mm	mm	mm	mm	mm	mm	mm	mm	mm
M18F1A1-P-50	50.0		46.0	44.0	72.0	24.0	18.0	6.5	2.50	-
M18F2A1.02-P-50	50.0		41.0	48.0	68.0	25.0	15.0	6.5	3.00	-
M18F2A1F1.32-P-50	50.0		42.0	44.6	64.6	22.5	15.0	6.0	3.00	-
M18F4A1.02-S-50	50.0		30.0	50.0	83.0	20.0	15.0	8.0	2.03	-
M18F8K1.03-P-50	50.0		46.0	44.0	66.6	24.0	18.0	8.5	2.50	-
M20K1F2.02-S-50	50.0		20.0	54.0	75.0	16.0	18.0	6.6	2.50	-
M20A2F1-S-50	50.0	20.0	35.0	52.0	80.0	13.0	18.0	8.1	2.50	-
M28F1A2-P-80	80.0	25.0	45.8	66.0	91.6	11.8	20.5	8.8	3.25	-
M28F3A2-P-63	63.0	20.0	50.0	64.0	92.0	20.0	20.0	9.0	4.00	-
M28F3A2-F-100	100.0	40.0	76.0	64.0	100.0	20.0	20.0	9.0	4.00	40.0
M32A1.02-P-50	50.0		60.0	62.0	97.0	35.0	23.0	10.0	3.00	-
M32A1F1-P-50	50.0		30.0	62.0	92.0	28.0	23.0	10.0	3.00	-
M32A1F2.02-PF1-50	50.0		60.0	62.0	97.0	16.5	23.0	10.0	3.00	-
M35F4A1.01-C-69	69.0		60.0	50.0	74.0	25.5	19.0	7.0	2.50	-
M40FA1.02-P-50	50.0		60.0	70.0	98.0	17.5	25.0	10.0	4.00	-
M40FK2F1-P-50	50.0	30.0	60.0	67.5	100.0	17.0	25.0	9.0	4.00	-
M40FA2-P-50	50.0	30.0	45.0	93.0	136.0	14.5	25.0	6.5	4.00	-
M40FA1F1.02-P-50	50.0		35.0	54.0	104.0	20.5	25.0	10.5	4.00	-
M40FA2F1.08-P-50	50.0	25.0	45.0	90.0	122.0	22.0	25.0	8.5	4.00	-
M40F17A2-P-50.8	50.8	30.0	55.0	66.0	92.0	18.0	25.0	10.2	5.00/4.00	-
M40F31A2.02-P-50.8	50.8	19.0	40.0	64.0	100.0	19.0	26.3	8.0	4.00	-
M40F17K1.10-P-50.8	50.8		55.0	66.0	92.0	18.0	25.0	10.2	5.00/4.00	-
M40F5A2-S-65	65.0	25.0	45.0	90.0	122.0	24.5	30.0	8.5	4.00	-
M40F10-F-76.2	76.2	22.2	38.3	76.2	106.5	19.0	26.0	9.4	4.00	40.0
M40A2F2-F-80	80.0	20.0	50.0	70.0	112.0	35.0	25.0	9.0	3.50	45.0
M40F1-P-125	125.0	50.0	90.0	100.0	140.0	36.0	50.0	13.0	6.00	-
M56F1-P-100	100.0	40.0	70.0	67.5	96.6	35.0	25.0	9.0	4.00	-
M56F2-P-100	100.0	29.7	50.0	124.0	148.0	21.5	32.0	7.0	4.00	-
M56F2-F-100	100.0	29.7	50.0	124.0	148.0	21.5	32.0	7.0	4.00	50.0
M56F3-P-100	100.0	50.0	70.0	71.0	101.0	35.0	25.0	9.0	4.00	-
M56F3-F.06-100	100.0	50.0	70.0	71.0	101.0	35.0	25.0	9.0	4.00	44.5
M56F8-P-100	100.0		70.0	63.8	95.0	25.0	25.0	8.2	4.00	-
M56F9-F1-100	100.0	40.0	70.0	68.0	96.6	25.0	32.0	9.0	5.00	45.0
M56F23-F-100	100.0	40.0	70.0	71.4	100.6	35.0	25.0	9.0	4.00	50.0
M56F38A2-P-100	100.0	40.0	60.0	70.0	100.0	20.0	25.0	9.0	4.00	-
M56F6A2.02-PF1-100	100.0	40.0	70.0	71.5	92.0	55.0	25.0	6.5	4.00	-
M56A2-P-125	125.0	50.0	75.0	88.0	128.0	30.0	30.0	11.0	4.00	-
M56F26A2.02-F-125	125.0	50.0	75.0	88.0	128.0	30.0	30.0	9.0	4.00	50.0
M75-P100	100.0	40.0	70.0	64.0	112.0	24.9	26.0	9.0	4.00	-

附板带一个孔
Attachments with 1 hole

M系列带附板输送链 Conveyor chains with attachments (M series)

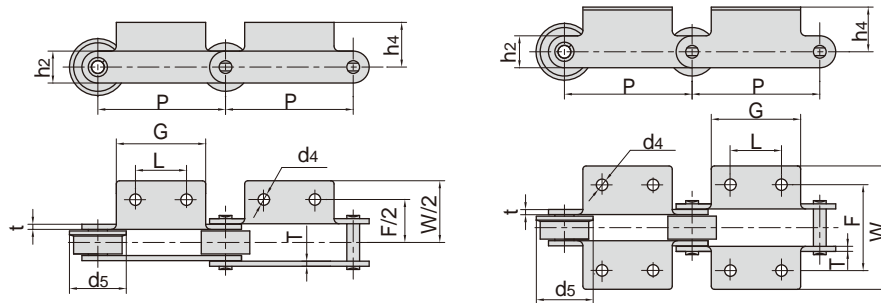


东华链号 Donghua Chain No.	节距	滚子直径	内节内宽	销轴直径	销轴长度		抗拉强度	平均抗拉强度	每米长重
	Pitch	Roller diameter	Width between inner plates	Pin diameter	L max	Lc max	Tensile strength	Average tensile strength	Weight per meter
	P	d1 max	b1 min	d2 max	mm	mm	Q min	Q0	q
	mm	mm	mm	mm	mm	mm	kN/lbf	kN	kg/m
M75-P100F1	100.0	38.0	18.9	9.53	38.4	42.7	75.0/17045	83.0	4.01
M75-P100F3	100.0	28.5	23.9	11.10	46.3	50.3	75.0/17045	83.0	4.53
M75F4-P-100	100.0	38.0	18.9	9.53	40.4	44.7	75.0/17045	83.0	4.62
M75-PF1-100	100.0	19.1	18.9	9.53	40.4	44.7	75.0/17045	75.0	3.43
M80K1F1-P-100	100.0	50.0	28.0	12.00	55.0	58.5	80.0/18000	88.0	9.10
*M80K2F1-B-100	100.0	18.0	28.0	12.00	55.0	58.5	80.0/18000	88.0	5.94
*M80F5K1-B-100	100.0	18.0	28.0	12.00	55.0	58.5	80.0/18000	88.0	5.45
M80A2F1-F-160	160.0	50.0	29.0	12.00	65.0	-	80.0/18000	88.0	7.45
M80F43K2-P-200	200.0	50.0	28.0	12.00	55.0	59.0	80.0/18000	88.0	7.90
M112F5K2-P-100	100.0	36.0	37.0	16.00	69.0	74.0	112.0/25200	123.2	8.28
M112A2F18.04-P-100	100.0	60.0	31.0	15.00	64.0	73.0	112.0/25200	123.2	11.80
*M112K2F2-B-100	100.0	21.0	32.0	15.00	64.5	69.0	112.0/25200	123.2	7.53
M112F38A2.04-P-100	100.0	60.0	32.0	15.00	64.5	69.0	112.0/25200	123.2	12.74
M112F16K1-P-125	125.0	60.0	32.0	15.00	68.5	73.0	112.0/25200	123.2	13.00
M112K2F1-S-125	125.0	30.0	32.0	16.00	64.5	69.0	112.0/25200	123.2	7.35
M112F9A2-F-180	180.0	50.0	32.0	15.00	64.5	69.0	160.0/35993	176.0	10.30
M112F3-F-200	200.0	60.0	37.0	16.00	69.0	74.0	112.0/25200	123.2	11.00
M112A2F21-F-315	315.0	60.0	32.0	15.00	65.0	70.0	112.0/25200	123.2	8.50
M160F1K2-P-100	100.0	36.0	36.0	18.00	76.0	80.0	160.0/35993	176.0	10.80
*M160F1K2.03-B-100	100.0	18.0	36.0	18.00	76.0	80.0	160.0/35993	176.0	9.73
M160F12K2-S-100	100.0	36.0	38.0	14.00	76.0	-	100.0/22496	110.0	9.33
*M160F2-B-100	100.0	25.0	37.0	18.00	73.3	83.0	222.0/49940	244.2	11.36
M160F25K2.04-B-100	100.0	25.0	37.0	18.00	73.3	79.5	160.0/36364	176.0	10.83
*M160F41K2-B-100	100.0	36.0	37.0	18.00	73.3	79.5	160.0/35993	176.0	14.75
*M160F55K2-B-100	100.0	25.0	37.0	18.00	-	86.0	160.0/35993	176.0	15.04
M160F3K1F1-P-101.6	101.6	66.7	26.0	26.90	58.0	78.5	156.0/35093	171.6	17.37
M160A2F1.02-P-152.4	152.4	66.7	25.4	26.90	58.0	68.0	160.0/35993	176.0	12.55
M160A2F7-F-200	200.0	70.0	37.0	18.00	85.0	-	181.8/40905	200.0	15.20
M160A2F8-F-200	200.0	70.0	37.0	18.00	85.0	-	181.8/40905	200.0	15.23
M160K2F2-S-200	200.0	36.0	36.0	18.00	76.0	80.0	160.0/36364	176.0	11.40
M160A2F8-F-200	200.0	70.0	37.0	18.00	85.0	-	181.8/40905	200.0	15.20
M224F6A2-P-160	160.0	85.0	42.0	21.00	87.5	92.5	224.0/50909	246.5	27.56
M224F29A2-F-200	200.0	85.0	43.0	21.00	85.0	91.0	224.0/50909	246.0	21.60
M224F1K2-P-200	200.0	85.0	42.0	21.00	95.0	-	224.0/50909	246.0	21.20
M224F42K2-S-200	200.0	42.0	44.0	21.00	-	99.0	224.0/50909	246.0	17.20
M315F22A2-F-400	400.0	100.0	56.0	25.00	109.8	115.3	315.0/70815	346.5	26.60
M315K2F1-P-250	250.0	50.0	47.0	25.00	98.9	105.0	315.0/70815	346.5	20.60
M450F26A2-F-400	400.0	100.0	56.0	30.00	111.0	118.0	315.0/70815	346.5	27.60

*套筒链：表中滚子直径d1为套筒直径

*Bush chain: d1 in the table indicates the external diameter of the bush.

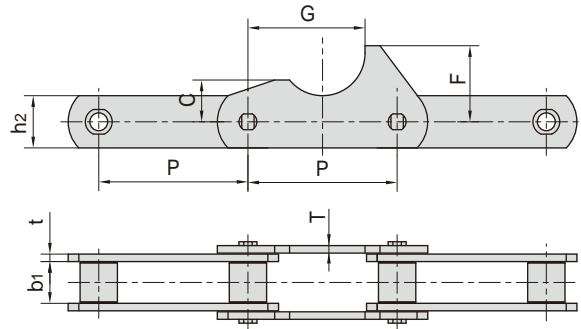
M系列带附板输送链 Conveyor chains with attachments (M series)



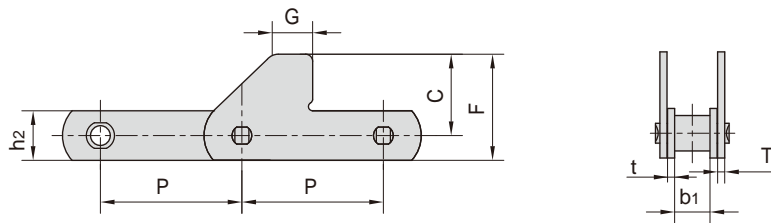
东华链号 Donghua Chain No.	P	L	G	F	W	h4	h2	d4	t/T	d5
	mm	mm	mm	mm	mm	mm	mm	mm	mm	mm
M75-P100F1	100.0	40.0	70.0	64.0	112.0	24.4	26.0	9.0	3.5	-
M75-P100F3	100.0	50.0	70.0	75.7	96.7	35.0	26.0	9.7	4.0	-
M75F4-P-100	100.0	40.0	70.0	90.0	112.4	24.9	26.0	8.5	4.0	-
M75-PF1-100	100.0	40.0	70.0	64.0	112.0	24.9	26.0	9.0	4.0	-
M80K1F1-P-100	100.0		30.0	96.0	138.0	35.0	35.0	11.0	5.0	-
M80K2F1-B-100	100.0	70.0	100.0	96.0	130.0	35.0	35.0	11.0	5.0	-
M80F5K1-B-100	100.0		60.0	100.0	156.0	23.2	35.0	13.0 × 17.0	5.0	-
M80A2F1-F-160	160.0	60.0	95.0	94.0	124.0	27.5	35.0	9.0	5.0	60.0
M80F43K2-P-200	200.0	80.0	120.0	96.0	130.0	35.0	35.0	11.0	5.0	-
M112F5K2-P-100	100.0	35.0	65.0	98.5	140.0	40.0	40.0	14.0	6.0	-
M112A2F18.04-P-100	100.0	30.0	60.0	100.0	130.0	33.0	36.0	9.0	6.0	-
M112K2F2-B-100	100.0	30.0	60.0	100.0	130.0	30.0	40.0	9.0	6.0	-
M112F38A2.04-P-100	100.0	35.0	70.0	110.0	160.0	40.0	40.0	14.0	6.0	-
M112F16K1-P-125	125.0		72.0	120.0	184.0	39.0	40.0	13.0	7.0	-
M112K2F1-S-125	125.0	80.0	110.0	85.8	115.8	35.0	40.0	13.0	6.0	-
M112F9A2-F-180	180.0	100.0	130.0	110.0	160.0	40.0	40.0	14.0	6.0	60.0
M112F3-F-200	200.0	90.0	120.0	102.0	137.5	40.0	45.0	11.0	6.0	75.0
M112A2F21-F-315	315.0	160.0	200.0	110.0	160.0	40.0	40.0	14.0	6.0	70.0
M160F1K2-P-100	100.0	40.0	80.0	124.0	183.0	35.0	40.0	14.0	7.0	-
M160F1K2.03-B-100	100.0	40.0	80.0	124.0	283.0	35.0	40.0	14.0	7.0	-
M160F12K2-S-100	100.0	30.0	70.0	100.0	120.0	35.0	40.0	13.0	5.6	-
M160F2-B-100	100.0		110.0	125.0	155.0	45.0	50.0	17.0	7.0	-
M160F25K2.04-B-100	100.0	40.0	80.0	124.0	180.0	45.0	50.0	14.0	7.0	-
M160F41K2-B-100	100.0	40.0	80.0	124.0	180.0	45.0	55.0	14.0	7.0	-
M160F55K2-B-100	100.0	40.0	80.0	124.0	200.0	43.0	50.0	14.0	8.0	-
M160F3K1F1-P-101.6	101.6		56.0	175.0	204.0	38.0	51.0	11.0	7.1/5.1	-
M160A2F1.02-P-152.4	152.4	38.0	64.0	120.0	154.0	30.0	50.0	10.5	7.1/5.1	-
M160A2F7-F-200	200.0	85.0	115.0	124.0	170.0	45.0	51.0	14.0	7.0	85.0
M160A2F8-F-200	200.0	80.0	115.0	124.0	170.0	45.0	51.0	12.0	7.0	85.0
M160K2F2-S-200	200.0	100.0	180.0	103.0	133.0	45.0	51.0	9.0	7.0	-
M160A2F8-F-200	200.0	80.0	115.0	124.0	170.0	45.0	51.0	12.0	7.0	85.0
M224F6A2-P-160	160.0	80.0	125.0	136.0	182.0	62.0	72.0	17.0	8.0	-
M224F29A2-F-200	200.0	50.0	100.0	170.0	200.0	45.0	60.0	13.0	8.0	100.0
M224F1K2-P-200	200.0	80.0	120.0	128.0	168.0	40.0	50.0	14.0	9.0	-
M224F42K2-S-200	200.0	60.0	100.0	142.0	180.0	54.0	62.0	15.0	8.0	-
M315F22A2-F-400	400.0	200.0	250.0	160.0	207.6	70.0	70.0	18.0	10.0	120.0
M315K2F1-P-250	250.0	60.0	100.0	127.0	168.0	57.0	82.0	14.0	10.0	-
M450F26A2-F-400	400.0	200.0	250.0	160.0	207.6	70.0	75.0	18.0	10.0	119.0

附板带一个孔
Attachments with 1 hole

M系列带附板输送链 Conveyor chains with attachments (M series)

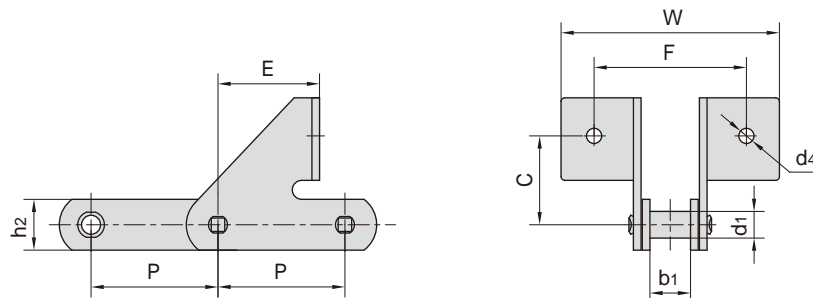


东华链号 Donghua Chain No.	P	b1	h2	t/T	C	F	G
	mm	mm	mm	mm	mm	mm	mm
M80F29-S-100	100.00	28.00	35.00	5.00	28.00	51.00	78.50



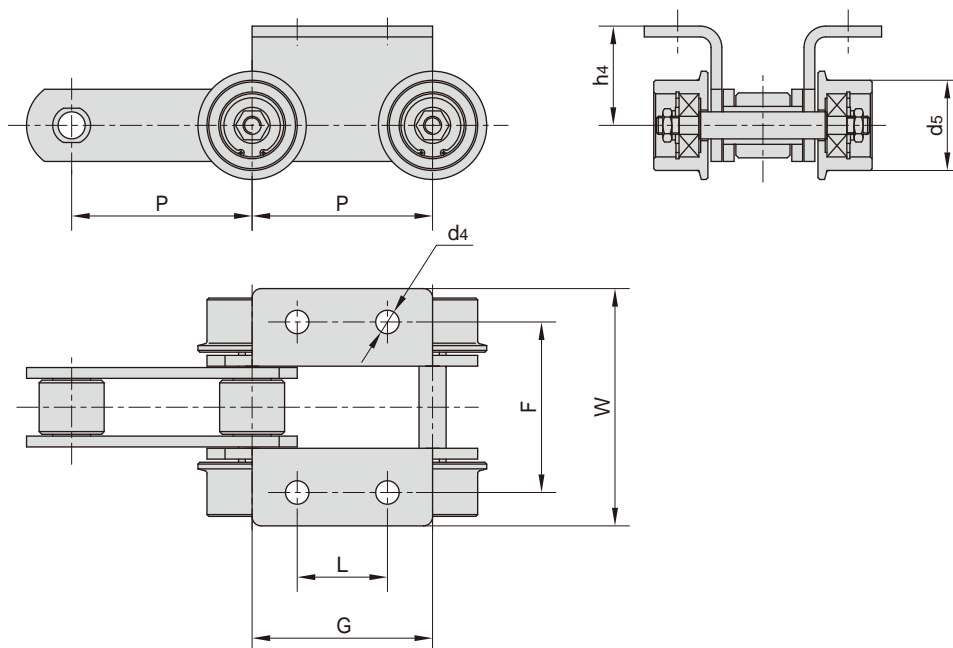
东华链号 Donghua Chain No.	P	b1	h2	t/T	C	F	G
	mm	mm	mm	mm	mm	mm	mm
M80F41-P-100	100.00	28.00	35.00	5.00	40.00	75.00	29.00

带SD附件
With SD attachment

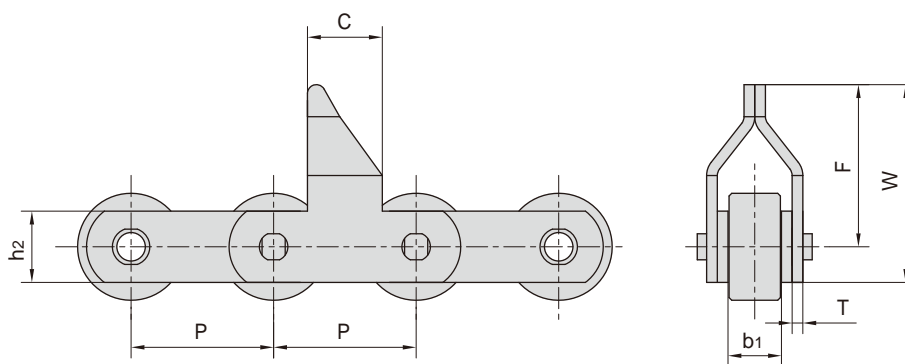


东华链号 Donghua Chain No.	P	d1	b1	h2	C	E	F	W	d4
	mm	mm	mm	mm	mm	mm	mm	mm	mm
M112F52SD-B-100	100.00	21.00	32.00	40.00	70.00	80.00	120.00	172.00	12.00

M系列带附板输送链 Conveyor chains with attachments (M series)



东华链号 Donghua Chain No.	P	L	G	F	W	h4	d4	d5
	mm	mm	mm	mm	mm	mm	mm	mm
M112F34-P-100	100.00	50.00	100.00	95.00	130.00	55.00	13.00	50.00



东华链号 Donghua Chain No.	P	b1	h2	T	C	F	W
	mm	mm	mm	mm	mm	mm	mm
M112F39-P-80	80.00	32.00	40.00	6.00	42.00	91.00	111.00