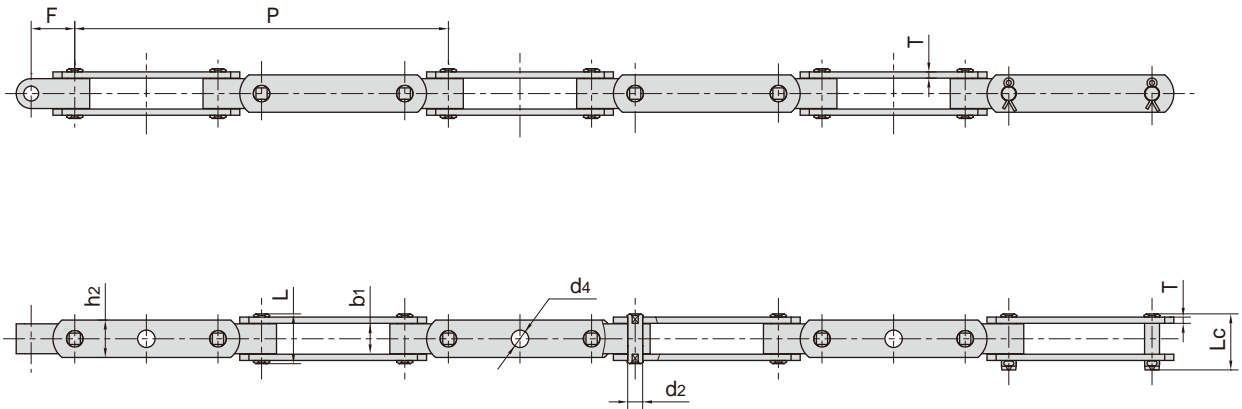
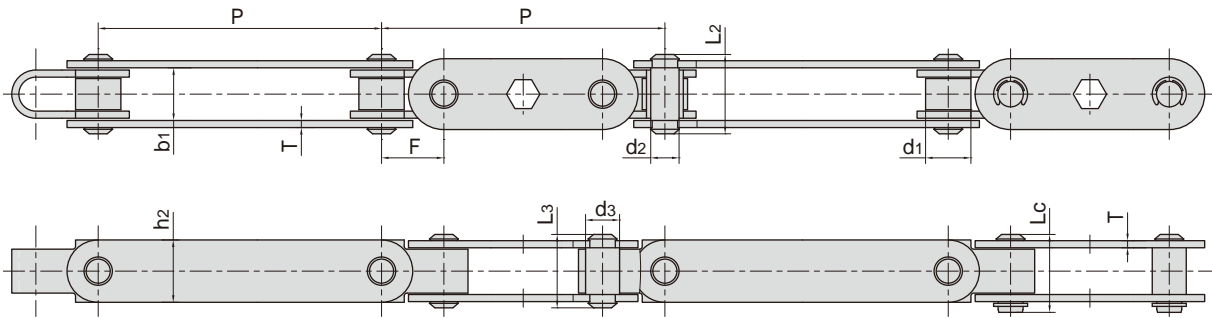


双铰接输送链 Universal movement conveyor chains

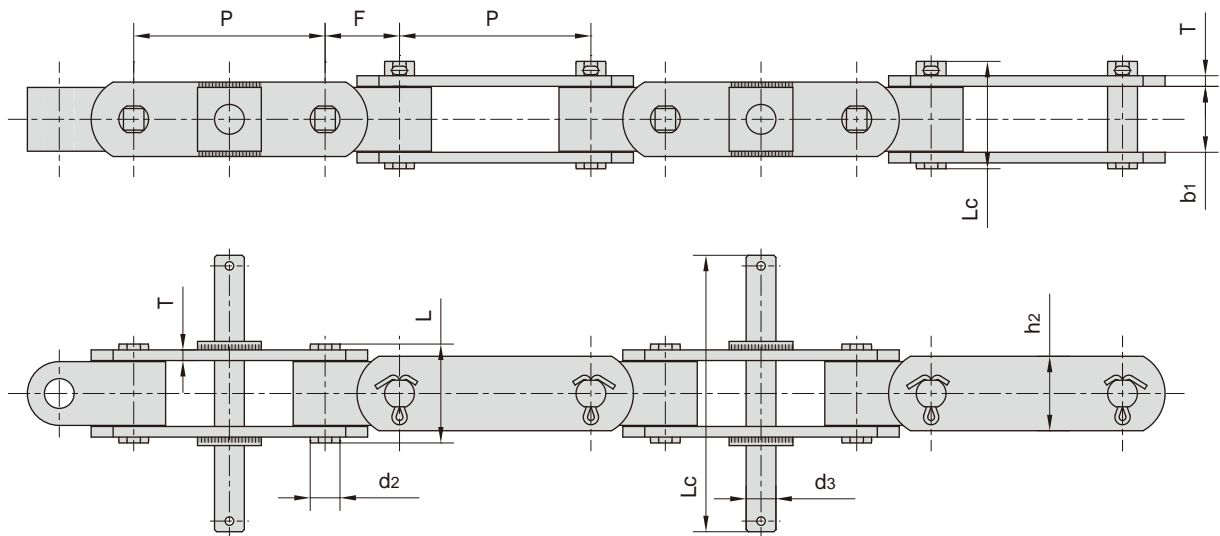


东华链号 Donghua Chain No.	节距 Pitch	外节内宽 Width between outer plates	销轴直径 Pin diameter	销轴长度 Pin length		链板高度 plate depth	链板厚度 plate thickness	附件尺寸 Attachment dimension		抗拉强度 Tensile strength	平均抗拉强度 Average tensile strength	每米长重 Weight per meter
	P	b1 min	d2 max	L max	Lc max	h2 max	T max	F	d4	Q min	Q ₀	q
	mm	mm	mm	mm	mm	mm	mm	mm	mm	kN/lbf	kN	kg/m
SJ250F3	250.00	24.6	12.0	40.0	45.0	30.0	5.0	35.0	14.0	90/20230	94.0	4.41
SJ250F4	250.00	31.0	16.0	48.0	53.0	35.0	6.0	35.0	18.0	150/33720	160.0	6.90
SJ266.66	266.66	25.0	12.0	40.0	45.0	30.0	5.0	35.0	14.0	100/22480	105.0	4.28
SJ280	280.00	31.0	16.0	-	60.7	40.0	6.0	40.0	16.0	112/25177	117.6	7.00
SJ300F3	300.00	24.6	12.0	40.0	45.0	30.0	5.0	35.0	14.0	90/20230	94.0	4.02
SJ300F4	300.00	31.0	16.0	48.0	53.0	35.0	6.0	35.0	18.0	150/33720	160.0	6.22

双铰接输送链 Universal movement conveyor chains

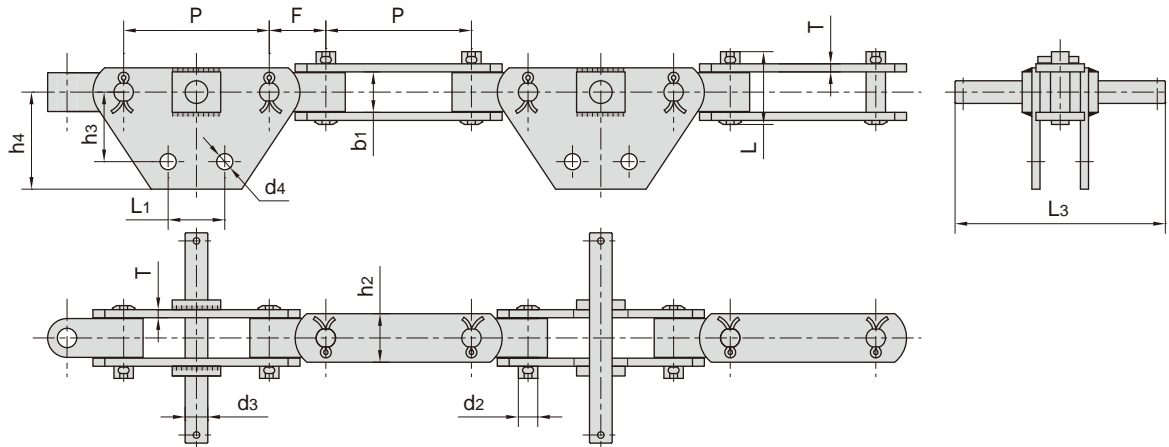


东华链号 Donghua Chain No.	节距 Pitch	滚子直径 Roller diameter	外节内宽 Width between outer plates	销轴直径 Pin diameter		销轴长度 Pin length			链板尺寸 plate dimension		附件尺寸 Attachment dimension	抗拉强度 Tensile strength
	P	d1 max	b1 min	d2 max	d3 max	L2 max	L3 max	Lc max	h2 max	T max	F	Q min
	mm	mm	mm	mm	mm	mm	mm	mm	mm	mm	mm	kN/lbf
SJ240F1	120.0	16.0	18.6	10.0	12.0	28.0	25.9	27.5	22.0	2.5	22.0	30.0/6744

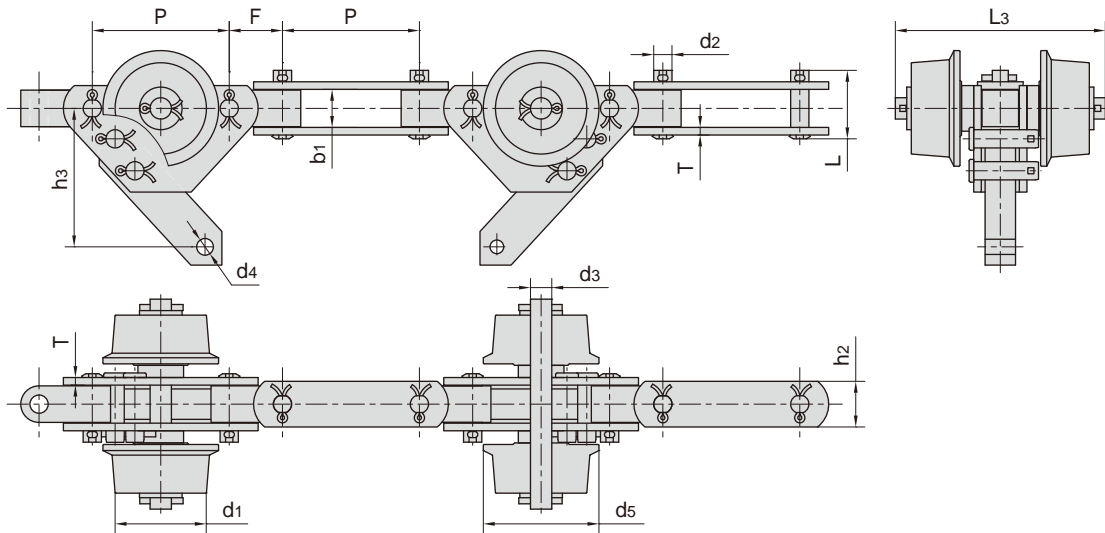


东华链号 Donghua Chain No.	节距 Pitch	外节内宽 Width between outer plates	销轴直径 Pin diameter		销轴长度 Pin length			链板尺寸 plate dimension		附件尺寸 Attachment dimension	抗拉强度 Tensile strength
	P	b1 min	d2 max	d3 max	L max	Lc max	L1 max	h2 max	T max	F	Q min
	mm	mm	mm	mm	mm	mm	mm	mm	mm	mm	kN/lbf
SJ250F6	90.0	31.0	14.0	14.0	46.5	50.5	130.0	35.0	5.0	35.0	100.0/22480
SJ300F9	115.0	31.0	16.0	18.0	48.0	53.0	130.0	35.0	6.0	35.0	125.0/28100

双铰接输送链 Universal movement conveyor chains

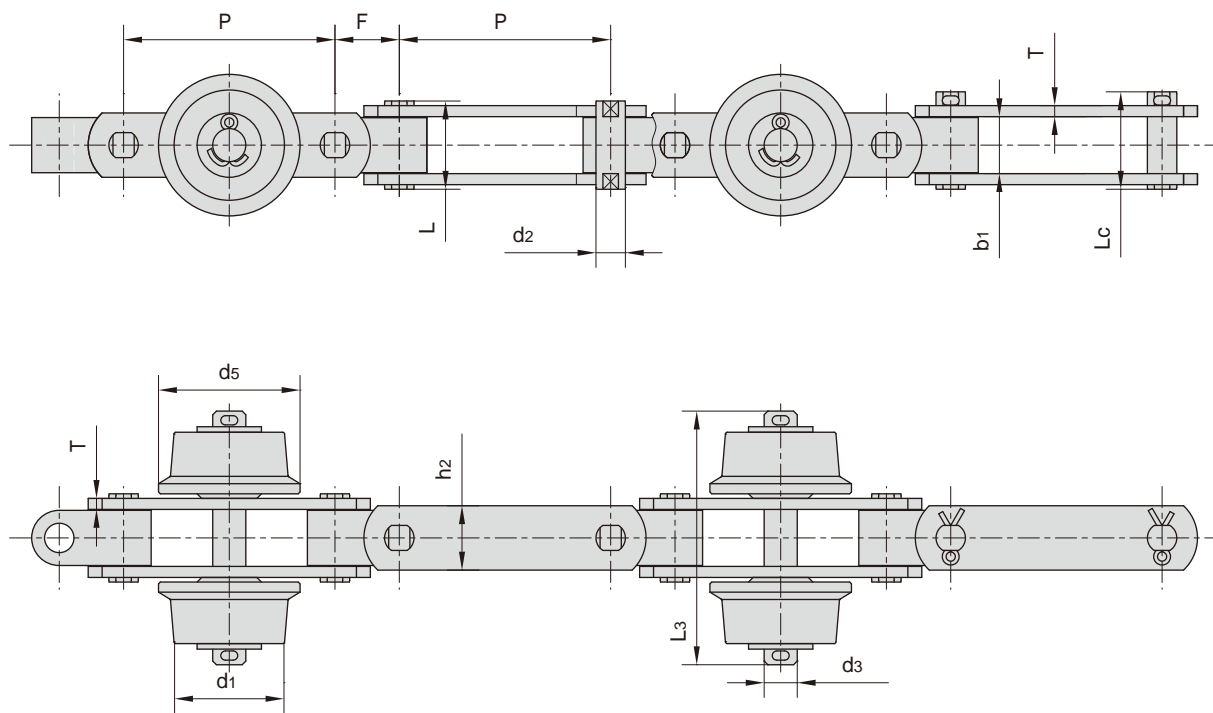


东华链号 Donghua Chain No.	节距 Pitch	外节内宽 Width between outer plates	销轴直径 Pin diameter		销轴长度 Pin length		链板尺寸 plate dimension		附件尺寸 Attachment dimension					抗拉强度 Tensile strength
	P	b1 min	d2 max	d3 max	L max	L3 max	h2 max	T max	h3	h4	L1	d4	F	Q min
	mm	mm	mm	mm	mm	mm	mm	mm	mm	mm	mm	mm	mm	kN/lbf
SJ250F9	90.0	25.0	12.0	14.0	45.0	130.0	30.0	5.0	55.0	72.0	35.0	10.0	35.0	90.0/20232
SJ300F2	110.0	30.4	16.0	16.0	58.0	132.0	40.0	6.0	55.0	70.0	32.0	12.0	40.0	230.0/51704
SJ300F13	115.0	31.0	16.0	18.0	53.0	155.0	35.0	6.0	33.0	52.5	30.0	13.0	35.0	150.0/33720



东华链号 Donghua Chain No.	节距 Pitch	滚子直径 Pin diameter		外节内宽 Width between outer plates	销轴直径 Pin diameter		销轴长度 Pin length		链板尺寸 plate dimension		附件尺寸 Attachment dimension			抗拉强度 Tensile strength
	P	d1 max	d5 max	b1 min	d2 max	d3 max	L max	L3 max	h2 max	T max	h3	d4	F	Q min
	mm	mm	mm	mm	mm	mm	mm	mm	mm	mm	mm	mm	mm	kN/lbf
SJ250F11	90.0	60.0	76.0	25.0	12.0	14.0	45.0	138.0	30.0	5.0	35.0	10.0	35.0	90.0/20232

双铰接输送链 Universal movement conveyor chains



东华链号 Donghua Chain No.	节距 Pitch	滚子直径 Pin diameter		外节内宽 Width between outer plates	销轴直径 Pin diameter		销轴长度 Pin length			链板尺寸 plate dimension		附件尺寸 Attachment dimension	抗拉强度 Tensile strength
	P	d1 max	d5 max	b1 min	d2 max	d3 max	L max	Lc max	L3 max	h2 max	T max	F	Q min
	mm	mm	mm	mm	mm	mm	mm	mm	mm	mm	mm	mm	kN/lbf
SJ250F7	90.0	60.0	77.0	25.0	12.0	14.0	-	45.0	135.0	30.0	5.0	35.0	50.0/11240
SJ300F8	115.0	60.0	77.0	31.0	16.0	18.0	48.0	53.0	138.0	35.0	6.0	35.0	150.0/33720